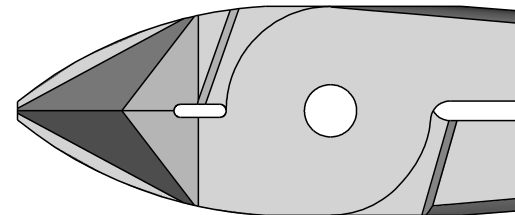
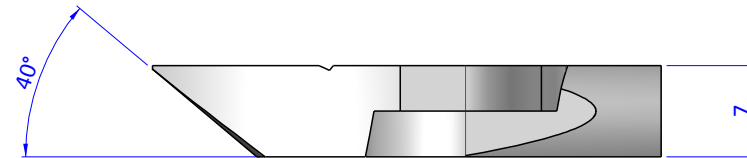
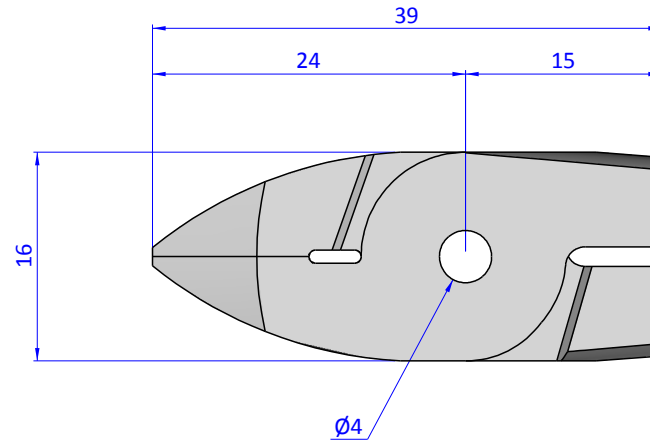
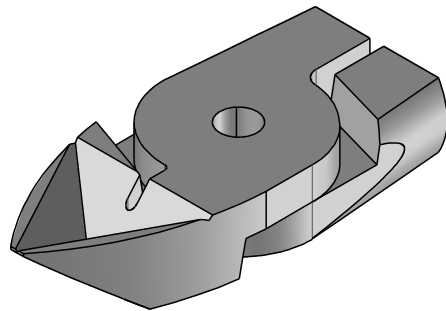
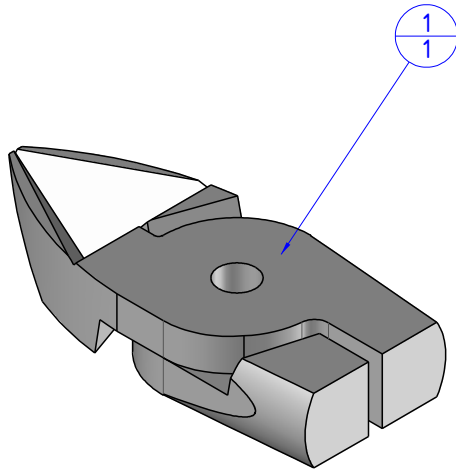


THE PROPERTY OF THE DRAWING IS ESTABLISHED BY LAW. IT IS FORBIDDEN TO PRODUCE OR SHOW IT TO THIRD PARTY, WITHOUT A WRITTEN AGREEMENT.

Item	Name	Q.ty
1	FD1	1



Format A3

UNI 936-76

FP SERVICES AUTOMATION			DESIGNED FROM FPSERVICES	REVIEW A
GENERAL TOLERANCE UNI - ISO 2768 CLASSE f	DESCRIPTION CA.FD1		DATE 21/02/2019	WEIGHT 0,022kg
			CODE CA.FD1	CA.FD1